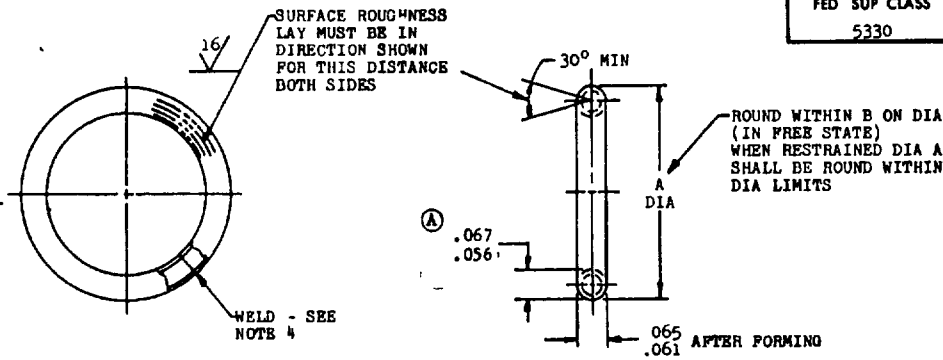


MS9372 (ASG)

FED SUP CLASS
5330



PART NO.	A +.005 -.000	B	APPROX WEIGHT LB/100	PART NO.	A +.005 -.000	B	APPROX WEIGHT LB/100
*MS9372-013	.438	.030	.071	MS9372-049	1.875	.030	.306
MS9372-014	.469	.030	.076	MS9372-050	1.938	.030	.315
*MS9372-015	.500	.030	.082	*MS9372-051	2.000	.030	.326
MS9372-016	.531	.030	.087	MS9372-052	2.062	.030	.335
*MS9372-017	.562	.030	.091	MS9372-053	2.125	.030	.346
MS9372-018	.594	.030	.096	MS9372-054	2.188	.030	.355
*MS9372-019	.625	.030	.101	*MS9372-055	2.250	.030	.366
MS9372-020	.656	.030	.107	MS9372-056	2.312	.030	.377
*MS9372-021	.688	.030	.112	MS9372-057	2.375	.030	.388
MS9372-022	.719	.030	.118	MS9372-058	2.438	.030	.397
*MS9372-023	.750	.030	.121	*MS9372-059	2.500	.030	.407
MS9372-024	.781	.030	.127	MS9372-060	2.562	.060	.416
MS9372-025	.812	.030	.132	MS9372-061	2.625	.060	.427
MS9372-026	.844	.030	.138	MS9372-062	2.688	.060	.439
*MS9372-027	.875	.030	.143	*MS9372-063	2.750	.060	.446
MS9372-028	.906	.030	.147	MS9372-064	2.812	.060	.458
MS9372-029	.938	.030	.152	MS9372-065	2.875	.060	.469
MS9372-030	.969	.030	.157	MS9372-066	2.938	.060	.478
*MS9372-031	1.000	.030	.163	*MS9372-067	3.000	.060	.490
MS9372-032	1.031	.030	.168	MS9372-069	3.125	.060	.509
MS9372-033	1.062	.030	.172	MS9372-071	3.250	.060	.529
MS9372-034	1.094	.030	.177	MS9372-073	3.375	.060	.550
*MS9372-035	1.125	.030	.183	*MS9372-075	3.500	.060	.563
MS9372-036	1.156	.030	.188	MS9372-077	3.625	.060	.590
MS9372-037	1.188	.030	.194	MS9372-079	3.750	.060	.610
MS9372-038	1.219	.030	.199	MS9372-081	3.875	.060	.632
*MS9372-039	1.250	.030	.202	*MS9372-083	4.000	.060	.653
MS9372-040	1.312	.030	.214	MS9372-085	4.125	.060	.671
*MS9372-041	1.375	.030	.224	MS9372-087	4.250	.060	.692
MS9372-042	1.438	.030	.234	MS9372-089	4.375	.060	.718
*MS9372-043	1.500	.030	.244	*MS9372-091	4.500	.060	.733
MS9372-044	1.562	.030	.254	MS9372-093	4.625	.060	.754
*MS9372-045	1.625	.030	.264	MS9372-095	4.750	.060	.774
MS9372-046	1.688	.030	.275	MS9372-097	4.875	.060	.795
*MS9372-047	1.750	.030	.284	*MS9372-099	5.000	.060	.815
MS9372-048	1.812	.030	.295				

Reviewers and Users:
USAF - 11
Navy - AS

This standard has been approved by the USAP (11) and the Department of the Navy. No other military activities are required to employ this standard where suitable.

- RING SHALL BE FLAT WITHIN B.
- *PREFERRED SIZES.
- MATERIAL: CORROSION AND HEAT RESISTANT STEEL TUBING AMS 5570 OR AMS 5576. TUBE SIZE .061-.064 DIA, WALL THICKNESS .005-.007.
- FINISH WELD FLUSH WITH TUBE OD, SMOOTH BLEND WITHIN .125 OF WELD. DIMENSIONS AT BLEND SHALL NOT BE MORE THAN .004 BELOW ADJACENT SURFACES.
- FINISH: SILVER PLATE AMS 2410-0010-.0015 THICK, DIMENSIONS TO BE MET BEFORE PLATING. CONTACT POINTS PERMISSIBLE ON ID OF RING.
- SURFACE ROUGHNESS AS 291.
- MANUFACTURING SPECIFICATION: AMS 7325.
- IDENTIFICATION MARK MS9372-XXX AND MANUFACTURER'S IDENTIFICATION ON CONTAINER.
- DIMENSIONS IN INCHES.
- DO NOT USE UNASSIGNED PART NUMBERS.

AS & AMS ARE SOCIETY OF AUTOMOTIVE ENGINEERS, INC. PUBLICATIONS. REFERENCED DOCUMENTS SHALL BE OF THE ISSUE IN EFFECT ON DATE OF INVITATIONS FOR BID. THIS STANDARD WAS DEVELOPED COOPERATIVELY WITH THE ENGINE AND PROPELLER UTILITY PARTS COMMITTEE OF THE SAE

P.A USAF - 11	TITLE GASKET - METAL O-RING, .062 TUBE X .006 WALL, SILVER PLATED	MILITARY STANDARD MS9372 (ASG)
Other Cust Navy - AS		
PROCUREMENT SPECIFICATION NONE	SUPERSEDES.	SHEET 1 OF 1

APPROVED 19 Jun 64
REVISED 20 Jan 1967