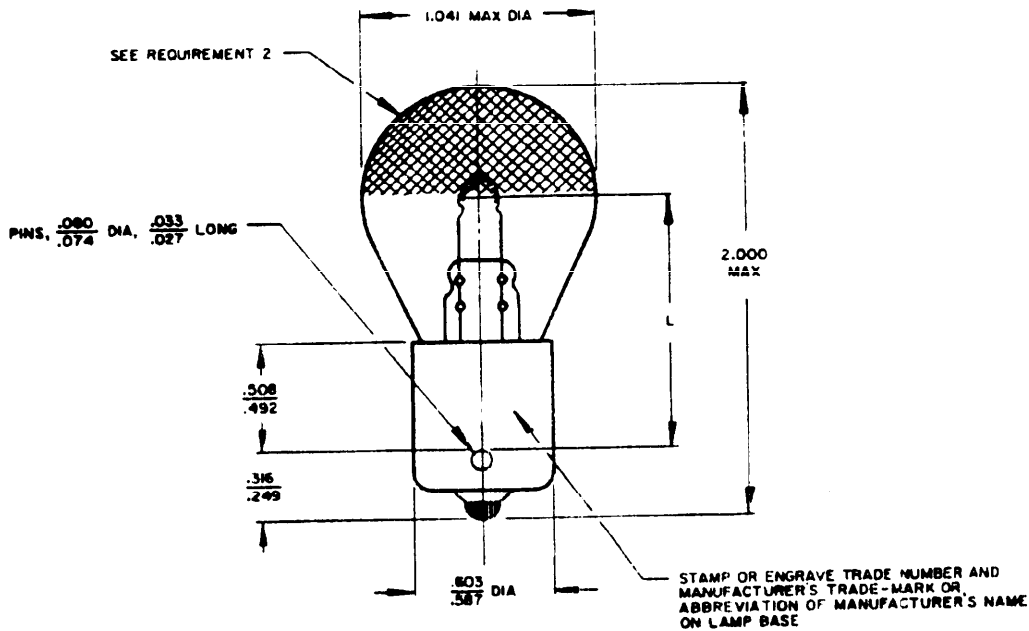


FED. SUP CLASS

6.4.1



Dash No.	Trade No.	L	Rated		Design Max Amperes	Filament Type	Finish	Average Life Hours
			Volts	Candle-power				
307	307		28	(NOTE 2)	.65	C-2V	Clear	300
SB307	307SB	1.125 ± .062		21				
R307	307R			32			Red	300
1683	1683	1.250 ± .047	6		1.02	2(C-2R) or 2(C-6)	Clear	500
1680	1680	1.250 ± .063			4.10	C-6		300

REQUIREMENTS:

- LIGHT EMITTED BY RED LAMPS SHALL CONFORM TO MIL-C-25050 FOR INSTRUMENT AND PANEL LIGHTING RED. RED COATINGS, WHEN USED, SHALL BE TRANSLUCENT.
- FINISH CLEAR, EXCEPT TOP TO RECEIVE AN ALUMINIZED REFLECTIVE COATING. DISTANCE FROM EDGE OF COATING TO TOPS OF BAYONET PINS SHALL BE APPROXIMATELY EQUAL TO LIGHT CENTER LENGTH.

NOTES:

- DIMENSIONS ARE IN INCHES.
- RATED CANDLEPOWER APPLIES TO LAMP BEFORE RED COATING OR REFLECTIVE COATING IS APPLIED.
- FOR DESIGN FEATURE PURPOSES, THIS STANDARD TAKES PRECEDENCE OVER PROCUREMENT DOCUMENTS REFERENCED HEREIN.

MS25232 REACTIVATED. SUPERSEDES MS3547B FOR PROCUREMENT OF LAMPS UNDER MIL-L-6363 FOR AIRCRAFT SERVICE.

REVIEWER SYMBOLS:  
 \*Reviewer/user information is current as of the date of this document.  
 For future coordination of changes to this document, draft circulation should be based on the information in the current 000155.

DISTRIBUTION STATEMENT A. Approved for public release; distribution is unlimited.  
 This military standard is approved for use by all Departments & Agencies of the Department of Defense. Selection for all new engineering and design applications and for repetitive use shall be made from this document.

APPROVED 1 APR 57 REVISED 10 APR 59 2 MAR 60 12 SEP 60 15 JUN 67

P.A. NAVY - AS Other Cost USAF - 99 ARMY - AV	TITLE LAMP, INCANDESCENT, SINGLE CONTACT BAYONET CANDELABRA BASE, S-6 BULB	MILITARY STANDARD MS25232
PROCUREMENT SPECIFICATION MIL-L-6363	SUPERSEDES AN3124, MS35470	SHEET 1 OF 1