

THE REQUIREMENTS FOR ACQUIRING THE PRODUCT(S) DESCRIBED HEREIN SHALL CONSIST OF THIS SPECIFICATION SHEET AND THE ISSUE OF THE FOLLOWING SPECIFICATION LISTED IN THAT ISSUE OF THE DODDISC SPECIFIED IN THE SOLICITATION: NONE

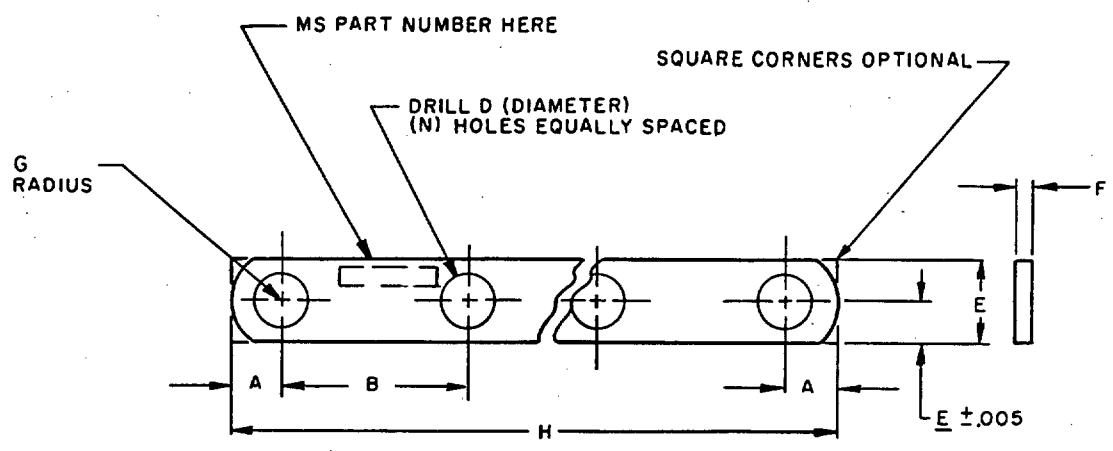


TABLE I. LINK TERMINAL, CONNECTING DETAILS.

DASH NO. (NOTE 3)				STUD SIZE	A	B	D	E	F	G	H	MAX CAPACITY IN AMPS
CADMIUM PLATE	SILVER PLATE (NOTE 7)	NICKEL PLATE	TIN PLATE		$\pm .010$ (D)	(REQUIREMENT 6)	$\pm .005$	$\pm .010$	$\pm .003$	$\pm .03$	REF	
-2-(N)	-2S-(N)	-2N-(N)	-2T-(N)	NO. 6	.219	.594	.147	.250	.032	.19	.594(N-1)+.438	40
-4-(N)	-4S-(N)	-4N-(N)	-4T-(N)	NO. 10	.219	.750	.201	.438	.051	.31	.750(N-1)+.438	70
-6-(N)	-6S-(N)	-6N-(N)	-6T-(N)	1/4	.312	1.500	.257	.625	.051	.50	1.500(N-1)+.625	90
-8-(N)	-8S-(N)	-8N-(N)	-8T-(N)	5/16, 3/8	.312	1.500	.386	.625	.051	.50	1.500(N-1)+.625	90
-10-(N)	-10S-(N)	-10N-(N)	-10T-(N)	NO. 8	.219	.750	.174	.350	.051	.31	.750(N-1)+.438	50

(D) TABLE II. METRIC CONVERSION.

INCH	MM	INCH	MM	INCH	MM
.003	.076	.190	4.826	.386	9.804
.005	.127	.201	5.105	.438	11.125
.010	.254	.219	5.563	.500	12.700
.030	.762	.250	6.350	.594	15.088
.032	.813	.257	6.528	.625	15.875
.051	1.295	.310	7.874	.675	17.145
.138	3.505	.312	7.925	.750	19.505
.147	3.734	.313	7.950	1.500	38.100
.164	4.166	.350	8.890		
.174	4.420	.375	9.525		

(D) DENOTES CHANGE

PREPARING ACTIVITY: NAVY-AS	MILITARY SPECIFICATION SHEET	SPECIFICATION SHEET NUMBER	15 SEP 94
CUSTODIANS: ARMY- ER NAVY-AS	TITLE	MS25226	REV D
AIR FORCE- 85 DLA- GS	LINK, TERMINAL, CONNECTING	SUPERSEDING	13 JULY 1971
REVIEW: NAVY- EC, MC, SH		AMSC- N/A	FSC 5940
AIR FORCE II, 80			
PROJECT NUMBER: 5940-1169			

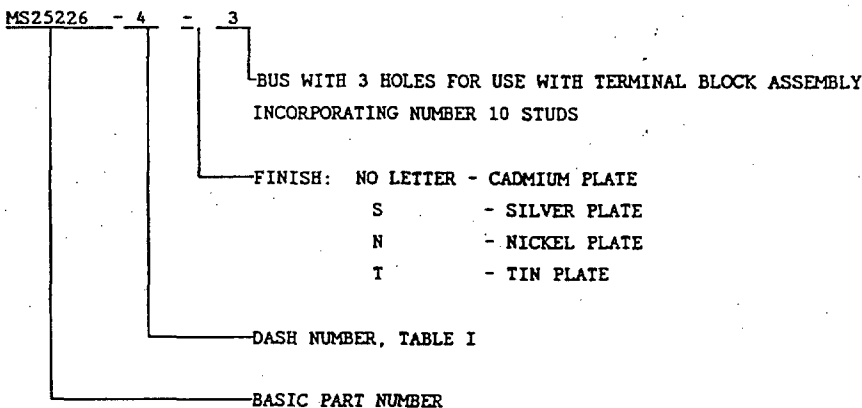
DISTRIBUTION STATEMENT A Approved for public release; distribution is unlimited. Page 1 of 3

THIS SPECIFICATION IS APPROVED FOR USE BY ALL DEPARTMENTS AND AGENCIES OF THE DEPARTMENT OF DEFENSE.

THE REQUIREMENTS FOR ACQUIRING THE PRODUCT(S) DESCRIBED HEREIN SHALL CONSIST OF THIS SPECIFICATION SHEET AND THE ISSUE OF THE FOLLOWING SPECIFICATION LISTED IN THAT ISSUE OF THE DODISS SPECIFIED IN THE SOLICITATION: NONE

REQUIREMENTS:

- (D) 1. MATERIAL: COPPER; BARS, RODS, AND SHAPES, IN ACCORDANCE WITH ASTM-B133 OR ASTM-B272. COPPER; SHEETS, STRIPS, PLATES AND ROLLED BARS IN ACCORDANCE WITH ASTM-B152.
- 2. FINISH: CADMIUM PLATE, SILVER PLATE, NICKEL PLATE OR TIN PLATE.
 - 1/ a. CADMIUM PLATE, IN ACCORDANCE WITH QQ-P-416, CLASS 3, TYPE II, FOR MAXIMUM TEMPERATURE OF 450°F. NOT TO BE USED IN CONTACT WITH TITANIUM OR IN VACUUM APPLICATIONS INCLUDING OUTER SPACE.
 - b. SILVER PLATE, IN ACCORDANCE WITH QQ-S-365, MINIMUM THICKNESS .0002 INCH. NOT TO BE USED IN CONTACT WITH TITANIUM.
 - c. NICKEL PLATE, IN ACCORDANCE WITH QQ-N-290, TYPE V, MINIMUM THICKNESS .0005 INCH FOR EXTERIOR APPLICATION AND TYPE VII MINIMUM THICKNESS .0001 INCH FOR INTERNAL APPLICATION.
 - 2/ d. TIN PLATE, IN ACCORDANCE WITH MIL-T-10727, TYPE I, MINIMUM THICKNESS .0005 INCH FOR 330°F MAXIMUM TEMPERATURE APPLICATIONS.
- 3. PART OR IDENTIFYING NUMBER (PIN).
EXAMPLE OF PIN: MS25226-4-3.



- (D) 4. IDENTIFICATION MARKING - EACH PART SHALL BE PERMANENTLY MARKED WITH THE PART NUMBER AS SHOWN ABOVE. THE LAST DIGIT OF THE PART NUMBER FOR THE NUMBER OF HOLES IS OPTIONAL.
- 5. DIMENSIONS IN INCHES, UNLESS OTHERWISE SPECIFIED, TOLERANCES: DECIMALS ± .010
- (D) 6. TOLERANCE BETWEEN ANY HOLES OF THE BUS (B DIMENSION) SHALL BE ± .010 INCH (NONCUMULATIVE).
- (D) 7. THE CUMULATIVE TOLERANCE BETWEEN THE TWO END MOUNTING HOLES SHALL BE A MAXIMUM OF .003 INCH PER INCH OF LENGTH.
- (D) 1/ CADMIUM PLATED TERMINAL LINKS ARE INACTIVE FOR NEW DESIGN.
- (D) 2/ THE PLATING SHALL NOT BE GREATER THAN 97% PURE TIN TO PREVENT DENDRITE (TIN WHISKER) FORMATION. LEAD OR OTHER SUITABLE MODIFIERS SHALL BE USED.

THIS SPECIFICATION IS APPROVED FOR USE BY ALL DEPARTMENTS AND AGENCIES OF THE DEPARTMENT OF DEFENSE.

PREPARING ACTIVITY: NAVY-AS CUSTODIANS: ARMY- ER NAVY-AS AIR FORCE- 85 DLA- GS REVIEW: NAVY- EC, MC, SH AIR FORCE II, 80 PROJECT NUMBER: 5940-1169	MILITARY SPECIFICATION SHEET		SPECIFICATION SHEET NUMBER
	TITLE LINK, TERMINAL, CONNECTING		MS25226 15 SEP 94 REV D
			SUPERSEDING MS25226 C 13 JUL 1971
		AMSC- N/A	FSC 5940
DISTRIBUTION STATEMENT A: APPROVED FOR PUBLIC RELEASE; DISTRIBUTION IS UNLIMITED			Page 2 of 3

NOTES:

- (D) 1. BREAK ALL SHARP EDGES.
- (D) 2. METRIC EQUIVALENTS (TO THE NEAREST .01 MM) ARE GIVEN FOR GENERAL INFORMATION ONLY AND ARE BASED UPON 1 INCH - 25.4 MM.
- 3. (N) INDICATES NUMBER OF HOLES IN BUS.
- 4. SILVER PLATED PARTS ARE NOT TO BE USED FOR AIR FORCE ACQUISITION.
- 5. FOR TERMINAL BLOCK ASSEMBLY, USE MS27212.
- 6. PART NUMBER MS25226-2 (N) THROUGH -8-(N), REPLACE AND ARE INTERCHANGEABLE WITH AN3433-2-(N) THROUGH AN3433-8-(N).
- 7. FOR DESIGN FEATURE PURPOSES, THIS SPECIFICATION SHEET TAKES PRECEDENCE OVER ACQUISITION DOCUMENTS REFERENCED HEREIN. REFERENCED DOCUMENTS SHALL BE OF THE ISSUE IN EFFECT ON THE DATE OF INVITATIONS FOR BIDS, OR REQUEST FOR PROPOSAL EXCEPT THAT REFERENCED ADOPTED INDUSTRY DOCUMENTS SHALL GIVE THE DATE OF THE ISSUE ADOPTED.

PREPARING ACTIVITY: NAVY-AS
 CUSTODIANS: ARMY- ER NAVY-AS
 AIR FORCE- 85 DLA- GS
 REVIEW: NAVY- EC, MC, SM
 AIR FORCE II, 80
 PROJECT NUMBER: 5940-1169

MILITARY SPECIFICATION SHEET

TITLE
 LINK, TERMINAL, CONNECTING

SPECIFICATION SHEET NUMBER
 MS25226 15 SEP 94
 REV D
 SUPERSEDING
 MS25226 C 13 JUL 1971
 AMSC- N/A FSC 5940

DISTRIBUTION STATEMENT A: APPROVED FOR PUBLIC RELEASE; DISTRIBUTION IS UNLIMITED

Page 3 of 3

THE REQUIREMENTS FOR ACQUIRING THE PRODUCT(S) DESCRIBED HEREIN SHALL CONSIST OF THIS SPECIFICATION SHEET AND THE ISSUE OF THE FOLLOWING SPECIFICATION LISTED IN THAT ISSUE OF THE DODISS SPECIFIED IN THE SOLICITATION: NONE

THIS SPECIFICATION IS APPROVED FOR USE BY ALL DEPARTMENTS AND AGENCIES OF THE DEPARTMENT OF DEFENSE.