

INCH-POUND

MS21122D
3 October 2005
SUPERSEDING
MS21122C
31 May 1991

MILITARY SPECIFICATION SHEET

CLAMP, LOOP, CUSHIONED, WEDGE,
POLYTETRAFLUOROETHYLENE

Inactive for new design after 3 October 2005.

This specification sheet is approved for use by all Departments and Agencies of the Department of Defense.

The requirements for acquiring the product described herein shall consist of this specification sheet and MIL-C-8603.

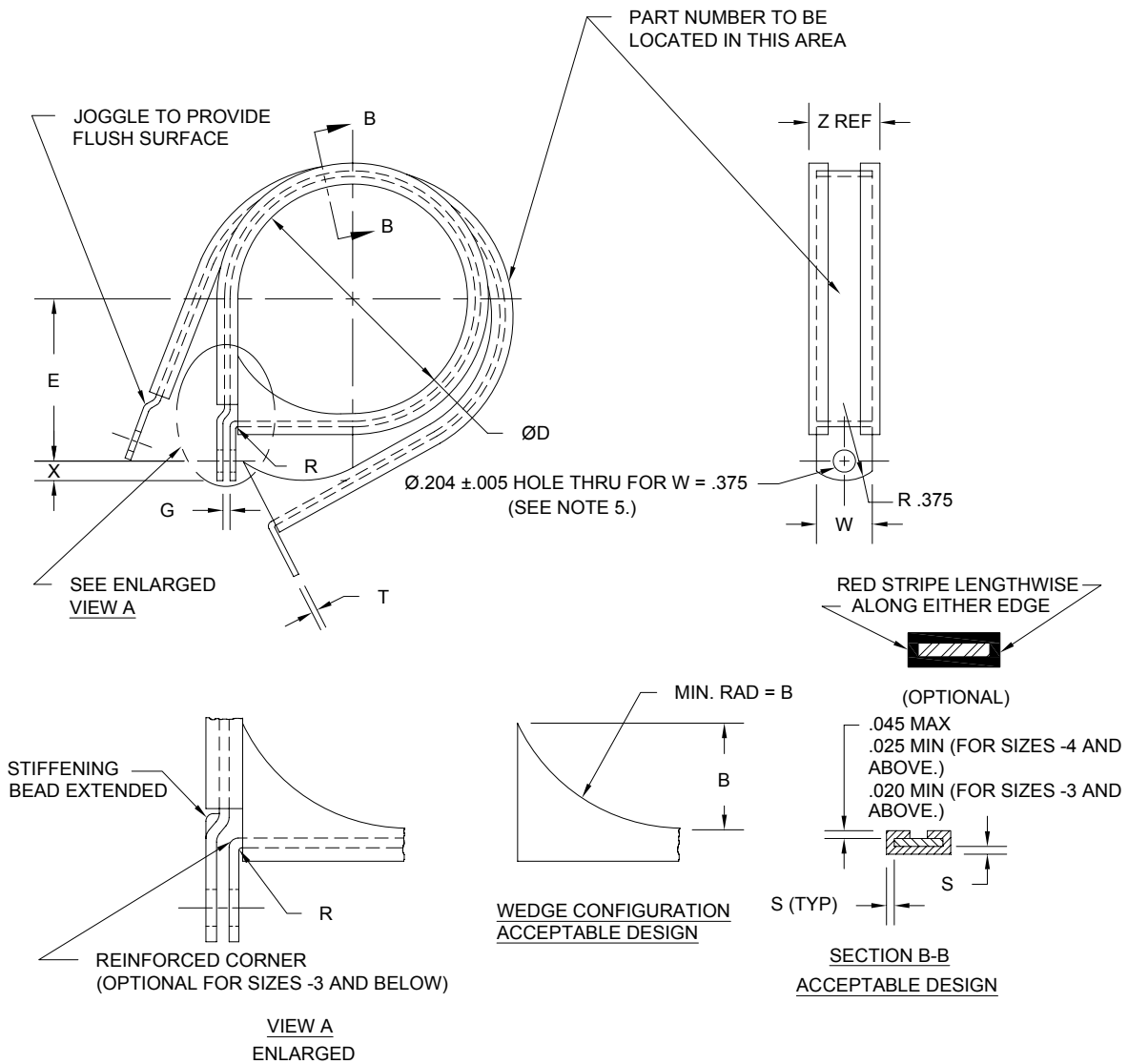


FIGURE 1. CLAMP LOOP

MS21122D

TABLE 1. Dimensions Data. 1/

DASH NO	RIGID TUBE NOMINAL O.D.	B ±.032	ØD ±.015	E	G	R ±.016 RAD	S +.016 -.000	T	W	X	Z REF
-1	.0625		.062	.436	.062 +.016 -.000	.062	.020	.0320 ±.0035	.375	.188	.497
-2	.1250	.078	.125	.457							
-3	.1875		.188	.498							
-4	.2500	.094	.250	.529							
-5	.3125	.109	.313	.560							
-6	.3750		.375	.592							
-7	.4375	.125	.438	.623							
-8	.5000		.500	.654							

1/ See note 5.

Requirements:

1. Materials:

- (a) Clamp band: Corrosion-resistant steel type 321 per SAE-AMS 5510.
- (b) Cushion: Polytetrafluoroethylene (PTFE) per SAE-AMS 3660 or SAE-AMS 3652.

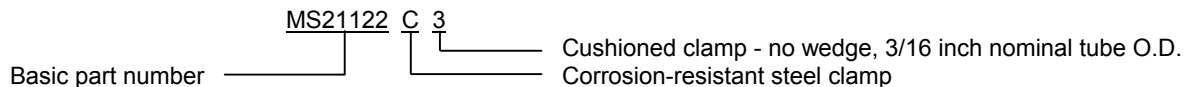
2. Finish:

- (a) Clamp band: Corrosion-resistant steel bands shall be cleaned and passivated per SAE-AMS 2700.
- (b) Cushion: Polytetrafluoroethylene (PTFE) - None.

3. Wedge is prohibited on -1.

4. Part number: Add "C" in place of the dash for corrosion-resistant steel cushioned clamp.

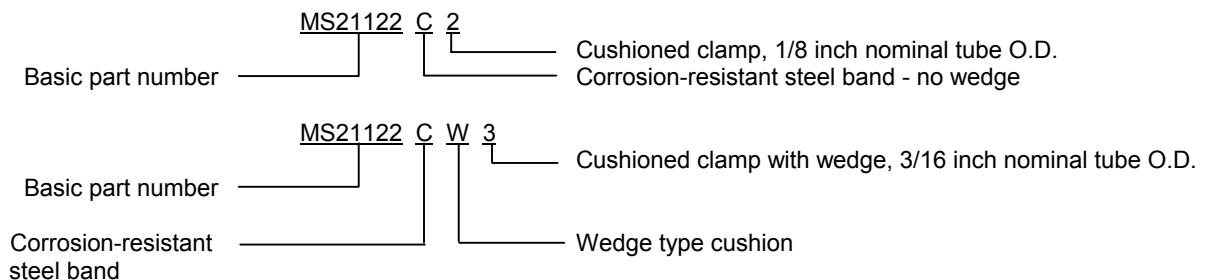
Example of part numbers:



5. Wedge is mandatory for -4 through -8 size clamps.
Wedge is optional for -2 and -3 size clamps.

Add "W" after "C" for corrosion-resistant steel cushioned clamp with wedge.

Example of part numbers:



MS21122D

6. The ends of the cushion shall meet when the clamp is in the installed position.
7. Wedge is integral part of cushion.
8. The MS part number, dash number, and manufacturer's identification shall be marked on each clamp.
9. Clamps shall be furnished in the open position.
10. Dimension "ØD" is applicable in closed position only.
11. Reinforced corner and stiffening bead are mandatory. Optional for -1, -2, and -3.

NOTES:

1. Remove all tool and die marks, burrs and sharp edges.
2. Dimensions are in inches. Unless otherwise specified, tolerance: Decimals $\pm .015$.
3. In the event of a conflict between the text of this standard and the references cited herein, the text of this standard shall take precedence.
4. Referenced document (or non-government) documents of the issue listed in that issue of the department of defense index of specifications and standards (DoDISS) specified in the solicitation form a part of this standard to the extent specified herein.
5. Clamp illustration and Table 1 of MS21122C have been revised to show only dimension of -1 thru -8 for clamp with CRES bands. Clamp with CRES bands for dash -1 thru -8 are inactive for new design as of 3 October 2005. Clamp with CRES bands for dash -9 thru -66 and clamp with aluminum alloy bands for dash -1 thru -66 that are not shown in this revision are cancelled after 29 May 1998. Future acquisition for these cancelled clamps may refer to Aerospace Industries Association of American Standard NAS1715. MS21122D, -1 thru -8 CRES loop clamps being reinstated as inactive for new design are .375 inches wide while NAS1715 provides only loop clamps with width of .500 inches. Table 2 provides a detailed cross-reference of cancelled MS21122 part or identifying numbers (PINs) and replacement NAS1715 PINs. Users are cautioned to evaluate replacements for their particular application.

MS21122D

Table 2. Cross-reference data.

Cancelled MS PIN	Replacement NAS PIN	Cancelled MS PIN	Replacement NAS PIN
MS21122-2	NAS1715D2KX	MS21122C9 OR MS21122CW9	NAS1715C9KWX
MS21122-3	NAS1715D3KX	MS21122C10 OR MS21122CW10	NAS1715C10KWX
MS21122-4 OR W4	NAS1715D4KWX	MS21122C11 OR MS21122CW11	NAS1715C11KWX
MS21122-5 OR W5	NAS1715D5KWX	MS21122C12 OR MS21122CW12	NAS1715C12KWX
MS21122-6 OR W6	NAS1715D6KWX	MS21122C13 OR MS21122CW13	NAS1715C13KWX
MS21122-7 OR W7	NAS1715D7KWX	MS21122C14 OR MS21122CW14	NAS1715C14KWX
MS21122-8 OR W8	NAS1715D8KWX	MS21122C15 OR MS21122CW15	NAS1715C15KWX
MS21122-9 OR W9	NAS1715D9KWX	MS21122C16 OR MS21122CW16	NAS1715C16KWX
MS21122-10 OR W10	NAS1715D10KWX	MS21122C17 OR MS21122CW17	NAS1715C17KWX
MS21122-11 OR W11	NAS1715D11KWX	MS21122C18 OR MS21122CW18	NAS1715C18KWX
MS21122-12 OR W12	NAS1715D12KWX	MS21122C19 OR MS21122CW19	NAS1715C19KWX
MS21122-13 OR W13	NAS1715D13KWX	MS21122C20 OR MS21122CW20	NAS1715C20KWX
MS21122-14 OR W14	NAS1715D14KWX	MS21122C21 OR MS21122CW21	NAS1715C21KWX
MS21122-15 OR W15	NAS1715D15KWX	MS21122C22 OR MS21122CW22	NAS1715C22KWX
MS21122-16 OR W16	NAS1715D16KWX	MS21122C23 OR MS21122CW23	NAS1715C23KWX
MS21122-17 OR W17	NAS1715D17KWX	MS21122C24 OR MS21122CW24	NAS1715C24KWX
MS21122-18 OR W18	NAS1715D18KWX	MS21122C25 OR MS21122CW25	NAS1715C25KWX
MS21122-19 OR W19	NAS1715D19KWX	MS21122C26 OR MS21122CW26	NAS1715C26KWX
MS21122-20 OR W20	NAS1715D20KWX	MS21122C27 OR MS21122CW27	NAS1715C27KWX
MS21122-21 OR W21	NAS1715D21KWX	MS21122C28 OR MS21122CW28	NAS1715C28KWX
MS21122-22 OR W22	NAS1715D22KWX	MS21122C29 OR MS21122CW29	NAS1715C29KWX
MS21122-23 OR W23	NAS1715D23KWX	MS21122C30 OR MS21122CW30	NAS1715C30KWX
MS21122-24 OR W24	NAS1715D24KWX	MS21122C31 OR MS21122CW31	NAS1715C31KWX
MS21122-25 OR W25	NAS1715D25KWX	MS21122C32 OR MS21122CW32	NAS1715C32KWX
MS21122-26 OR W26	NAS1715D26KWX	MS21122C33 OR MS21122CW33	NAS1715C33KWX
MS21122-27 OR W27	NAS1715D27KWX	MS21122C34 OR MS21122CW34	NAS1715C34KWX
MS21122-28 OR W28	NAS1715D28KWX	MS21122C35 OR MS21122CW35	NAS1715C35KWX
MS21122-29 OR W29	NAS1715D29KWX	MS21122C36 OR MS21122CW36	NAS1715C36KWX
MS21122-30 OR W30	NAS1715D30KWX	MS21122C37 OR MS21122CW37	NAS1715C37KWX
MS21122-31 OR W31	NAS1715D31KWX	MS21122C38 OR MS21122CW38	NAS1715C38KWX
MS21122-32 OR W32	NAS1715D32KWX	MS21122C40 OR MS21122CW40	NAS1715C40KWX
MS21122-33 OR W33	NAS1715D33KWX	MS21122C42 OR MS21122CW42	NAS1715C42KWX
MS21122-34 OR W34	NAS1715D34KWX	MS21122C43 OR MS21122CW43	NAS1715C43KWX
MS21122-35 OR W35	NAS1715D35KWX	MS21122C44 OR MS21122CW44	NAS1715C44KWX
MS21122-36 OR W36	NAS1715D36KWX	MS21122C45 OR MS21122CW45	NAS1715C45KWX
MS21122-37 OR W37	NAS1715D37KWX	MS21122C46 OR MS21122CW46	NAS1715C46KWX
MS21122-38 OR W38	NAS1715D38KWX	MS21122C48 OR MS21122CW48	NAS1715C48KWX
MS21122-40 OR W40	NAS1715D40KWX	MS21122C50 OR MS21122CW50	NAS1715C50KWX
MS21122-42 OR W42	NAS1715D42KWX	MS21122C52 OR MS21122CW52	NAS1715C52KWX
MS21122-43OR W43	NAS1715D43KWX	MS21122C54 OR MS21122CW54	NAS1715C54KWX
MS21122-44 OR W44	NAS1715D44KWX	MS21122C56 OR MS21122CW56	NAS1715C56KWX
MS21122-45 OR W45	NAS1715D45KWX	MS21122C58 OR MS21122CW58	NAS1715C58KWX
MS21122-46 OR W46	NAS1715D46KWX	MS21122C64 OR MS21122CW64	NAS1715C64KWX
MS21122-48 OR W48	NAS1715D48KWX	MS21122C66 OR MS21122CW66	NAS1715C66KWX
MS21122-50 OR W50	NAS1715D50KWX		
MS21122-52 OR W52	NAS1715D52KWX		
MS21122-54 OR W54	NAS1715D54KWX		
MS21122-56 OR W56	NAS1715D56KWX		
MS21122-58 OR W58	NAS1715D58KWX		
MS21122-64 OR W64	NAS1715D64KWX		
MS21122-66 OR W66	NAS1715D66KWX		

MS21122D

6. Changes from previous issue. Marginal notations are not used in this revision to identify changes with respect to the previous issue due to the extent of the changes.

MILITARY INTEREST

Preparing activity:
DLA - IS

Custodians:

Army - CR4
Navy - AS
Air Force - 99

(Project 5340-2741-001)

Review activities:

Army - MI
Air Force - 11

NOTE: The activities listed above were interested in this document as of the date of this document. Since organizations and responsibilities can change, you should verify the currency of the information above using the ASSIST Online database at <http://assist.daps.dla.mil>