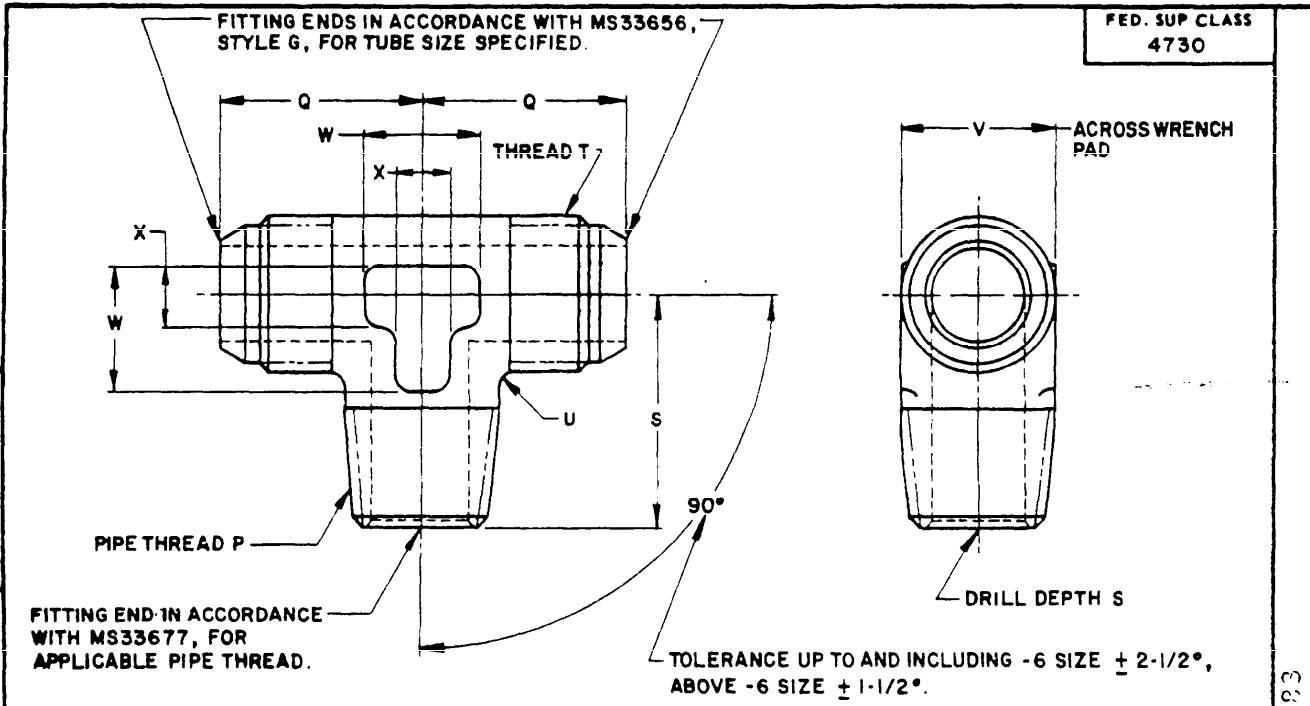


USER ACTIVITIES: ARMY - ME

REVIEWER ACTIVITIES: ARMY - AV

DLA - CS

This military standard is approved by the Department and Agencies of the Department of Defense. Selection for all new engineering and design applications and for repetitive use shall be made from this document.



FED. SUP CLASS  
4730

MATERIAL: STEEL; ALUMINUM ALLOY; COPPER ALLOY; CORROSION RESISTANT STEEL (CRES); BARS, SHAPES, OR FORGINGS (SEE PROCUREMENT SPECIFICATION).  
FINISH: SEE PROCUREMENT SPECIFICATION.  
BREAK ALL SHARP EDGES AND REMOVE ALL HANGING BURRS AND SLIVERS.  
DIMENSIONS IN INCHES.

NO CODE LETTER IN PART NUMBER FOR CARBON STEEL.  
ADD B AFTER DASH NO. FOR COPPER ALLOY.  
ADD D AFTER DASH NO. FOR ALUMINUM ALLOY (EXCEPT 7075-T73).  
ADD J AFTER DASH NO. FOR CRES, CLASS 304.  
ADD K AFTER DASH NO. FOR CRES, CLASS 316.  
ADD S AFTER DASH NO. FOR CRES, CLASS 347.  
ADD W AFTER DASH NO. FOR 7075-T73 ALUMINUM ALLOY.  
EXAMPLE OF PART NUMBERS: MS20825-4 - TEE, 1/4 TUBING OD AND 1/8 PIPE THREAD, CARBON STEEL.  
MS20825-4B - TEE, 1/4 TUBING OD AND 1/8 PIPE THREAD, COPPER ALLOY  
MS20825-4D - TEE, 1/4 TUBING OD AND 1/8 PIPE THREAD, ALUMINUM ALLOY (EXCEPT 7075-T73)  
MS20825-8J - TEE, 1/2 TUBING OD AND 3/8 PIPE THREAD, CRES, CLASS 304  
MS20825-8K - TEE, 1/2 TUBING OD AND 3/8 PIPE THREAD, CRES, CLASS 316  
MS20825-8S - TEE, 1/2 TUBING OD AND 3/8 PIPE THREAD, CRES, CLASS 347  
MS20825-8W - TEE, 1/2 X 3/8, 7075-T73 ALUMINUM ALLOY

CERTAIN PROVISIONS OF THE DESIGN CHARACTERISTICS OF THIS STANDARD (SCREW THREADS, HEXAGON SIZES, AND UNDERCUT DIMENSIONS) ARE THE SUBJECT OF INTERNATIONAL STANDARDIZATION AGREEMENT ABC AIR STD 17/15. WHEN REVISION OR CANCELLATION OF THIS STANDARD IS PROPOSED, THE DEPARTMENTAL CUSTODIANS WILL INFORM THEIR RESPECTIVE DEPARTMENTAL STANDARDIZATION OFFICES SO THAT APPROPRIATE ACTION WILL BE TAKEN RESPECTING THE INTERNATIONAL AGREEMENT CONCERNED.  
FOR DESIGN FEATURE PURPOSES, THIS STANDARD TAKES PRECEDENCE OVER PROCUREMENT DOCUMENTS REFERENCED HEREIN.  
REFERENCED DOCUMENTS SHALL BE OF THE ISSUE IN EFFECT ON DATE OF INVITATIONS FOR BID.  
INACTIVE FOR DESIGN AFTER 9 JAN 64, EXCEPT FOR USE ON OXYGEN SYSTEMS AND GROUND SERVICE EQUIPMENT. SEE MIL-STD-962 FOR STATUS CRITERIA.

APPROVED 24 MAY 61 REVISED (A) 9 JAN 64 (B) 16 JUN 71 (C) 21 MAR 79 (D) 20 OCT 83

P.A. AIR FORCE - 82 (D) Other Cost NAVY - AS AIR FORCE - 99	TITLE <b>TEE, PIPE TO TUBE, PIPE THREAD ON SIDE</b>	<b>MILITARY STANDARD</b>
		<b>MS 20825</b>
PROCUREMENT SPECIFICATION MIL-F-5509	SUPERSEDES: AN825	SHEET 1 OF 2

USER ACTIVITIES: ARMY - ME

REVIEWER ACTIVITIES: ARMY - AV

DLA - CS

DASH NO	TUBING OD	PIPE THD END		Q +.047 -.000	S +.047 -.000	U ±.016 RAD	V ±.016	W APPROX	X APPROX	THREAD T (REF)
		THD P ANPT	MS33877 STYLE							
2	1/8	1/8	B	.734	.688	.062	.312	.312	.188	5/16-24UNJF-3A
3	3/16			.797			.375			3/8 -24UNJF-3A
4	1/4		A	.859	.750		.438	.375	.250	7/16-20UNJF-3A
5	5/16			.922			.500	.469	.312	1/2 -20UNJF-3A
6	3/8	1/4	A	1.031	1.062	.562	.562	9/16-18UNJF-3A		
8	1/2	3/8		1.219	1.188	.750	.688	3/4 -16UNJF-3A		
10	5/8	1/2		1.422	1.438	.875	.750	7/8 -14UNJF-3A		
12	3/4	3/4	B	1.625	1.562	.094	1.062	.875	.438	1-1/16-12UNJ-3A
16-12	1		A	1.781	1.688		1.062	.500	1-5/16-12UNJ-3A	
16	1	1	B	1.781	1.938	.125	1.312	1.125	.625	
20	1-1/4	1-1/4		2.031	2.344		1.625	1.312	.750	1-5/8 -12UNJ-3A
21	1-1/4	1	A	2.297	2.469	.188	1.875	1.438	.875	1-7/8 -12UNJ-3A
25	1-1/2	1-1/4		2.297	2.469		2.250	1.812	1.062	2-1/4 -12UNJ-3A
28	1-3/4	1-1/2		2.781	2.750		2.562	2.094	1.188	2-1/2 -12UNJ-3A
32	2	2		3.031	2.969	.250	2.562	2.094	1.188	2-1/2 -12UNJ-3A

This military standard is approved by the Department and Agencies of the Department of Defense. Selection for all new engineering and design applications and for repetitive use shall be made from this document.

APPROVED 24 MAY 61 REVISED **D** FOR CHANGES SEE PAGES 1 & 2

P.A. AIR FORCE - 92 Other Cast  NAVY - AS AIR FORCE - 99	TITLE	MILITARY STANDARD
	TEE, PIPE TO TUBE, PIPE THREAD ON SIDE	MS 20825
PROCUREMENT SPECIFICATION MIL - F - 5509	SUPERSEDES: AN825	SHEET 2 OF 2