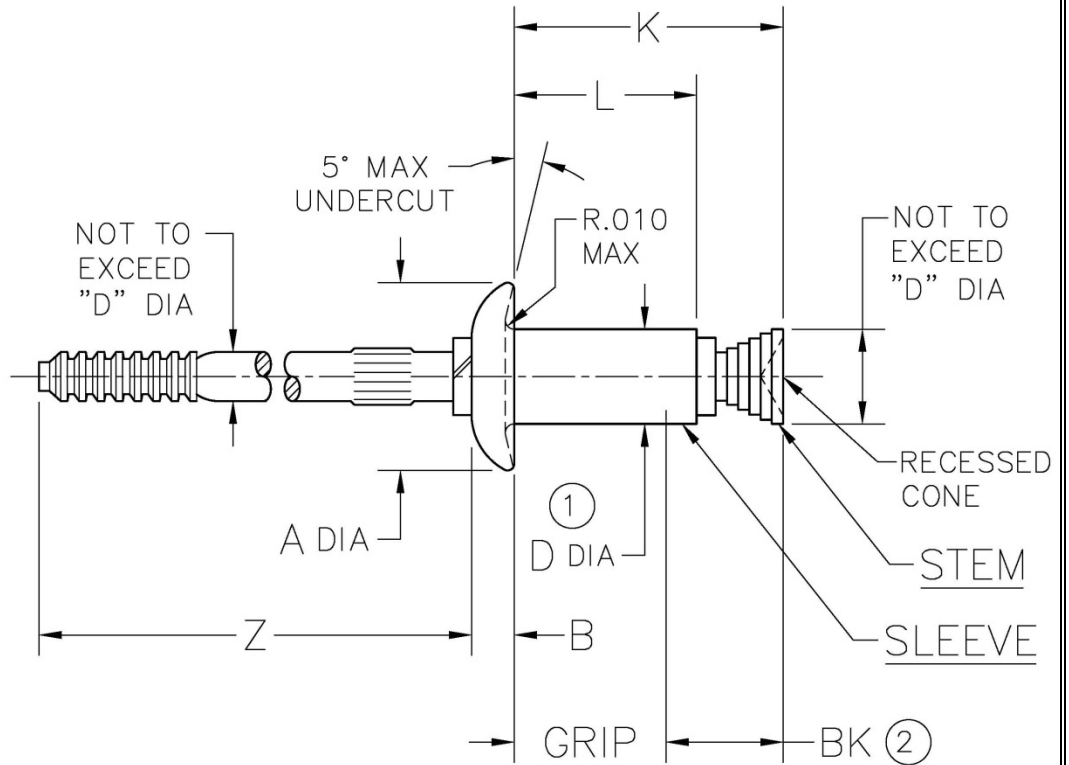
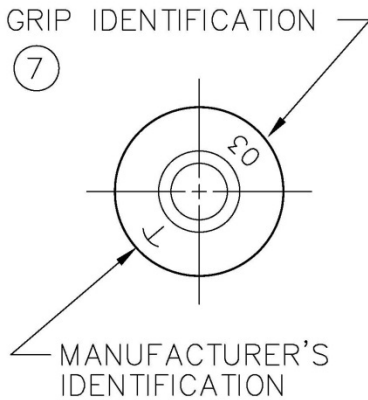




PRINTED COPIES OF THIS DOCUMENT ARE FOR "REFERENCE" ONLY. CURRENT REVISIONS ARE AVAILABLE ONLINE.

HEAD MARKING



**TABLE I**

DIA. DASH NO.	A ±.010	B +.010 -.000	D +.003 -.001	BK MIN	Z REF	HOLE LIMITS	
						MIN	MAX
-4	.250	.054	.140	.30	1.65	.143	.146
-5	.312	.067	.173	.33	1.63	.176	.180
-6	.375	.080	.201	.37	1.65	.205	.209

**TABLE II**

FINISH CODE	NAS 523 CODE	MATERIAL ③			FINISH		
		SLEEVE	STEM	LOCK RING	SLEEVE	STEM	LOCK RING
---	AAO	5056-F PER QQ-A-430	8740 STEEL PER AMS 6322	MONEL PER QQ-N-281	CHEM. FILM PER MIL-DTL-5541	CAD. PLATE PER QQ-P-416, CL 2, TYPE II	NONE
NS	---					NICKEL PLATE PER CHERRY SPEC C-5	
PR ⑧	---					CAD. PLATE PER QQ-P-416, CL 2, TYPE II	

NOTICE: ALL DIMENSIONS ARE IN INCHES AND APPLY AFTER FINISH AND BEFORE LUBRICATION UNLESS OTHERWISE SPECIFIED.

WARNING: FASTENERS MAY NOT PERFORM PROPERLY IF ALTERED FROM THE MANUFACTURER'S AS-SHIPPED CONDITION OR INSTALLED IN CONDITIONS OTHER THAN SPECIFIED HEREIN.

PROCUREMENT SPECIFICATION:  NAS 1740	<b>CHERRYLOCK® RIVET</b> BULBED UNIVERSAL HEAD		SHEET 1 OF 3		PART NUMBER
			ISSUE	07-11-78	<b>CR2249</b>
			REV.	P 5-27-15	
NAS 523 CODE: SEE TABLE II					



**TABLE III**

GRIP DASH NO. ⑦	GRIP RANGE		RIVET GROUP ④	-4 DIA		-5 DIA		-6 DIA	
	MIN	MAX		L MAX	K MAX	L MAX	K MAX	L MAX	K MAX
-01	⑤	.062	A	.230	.38	.250	.42	.281	.45
-02	.063	.125		.281	.44	.312	.48	.344	.51
-03	.126	.187		.344	.50	.375	.54	.406	.58
-04	.188	.250		.406	.57	.437	.60	.469	.64
-05	.251	.312		.469	.63	.500	.67	.531	.70
-06	.313	.375		.531	.69	.562	.73	.594	.76
-07	.376	.437		.594	.75	.625	.79	.656	.83
-08	.438	.500		.656	.82	.687	.85	.719	.89
-09	.501	.562		.719	.88	.750	.92	.782	.95
-10	.563	.625		---	---	.812	.98	.844	1.02
-11	.626	.687		---	---	.875	1.04	.907	1.08
-12	.688	.750		---	---	---	---	.970	1.14

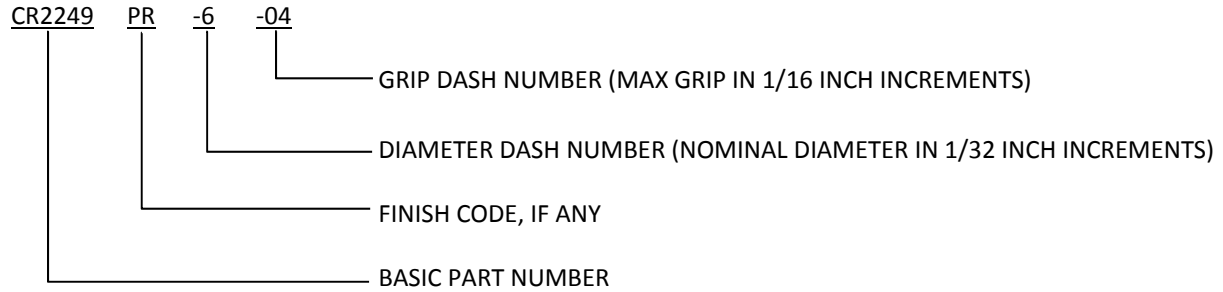
**NOTES:**

- ① AN INCREASE OF .001 PERMISSIBLE WITHIN 0.100 OF BASE OF HEAD.
- ② MINIMUM BLIND SIDE CLEARANCE FOR SATISFACTORY INSTALLATION.
- ③ MATERIAL DESIGNATION REFERS TO CHEMICAL COMPOSITION ONLY.
- ④ RIVET GROUP REFERS TO SHIFT-POINT SETTING OF RIVETER.
- ⑤ MINIMUM GRIP FOR -4 DIA IS .020, FOR -5 DIA IS .025 AND FOR -6 DIA IS .030.
- 6. THIS PRODUCT MEETS THE REQUIREMENTS OF NAS 1738.
- ⑦ SINGLE DIGIT MARKING IS PERMISSIBLE, AT MANUFACTURER'S OPTION, FOR GRIP DASH (-) NUMBERS LESS THAN 10.
- ⑧ USE "PR" CODE TO ORDER RIVETS DRY OR WITH PAR 90 LUBE IF LUBRICATION IS REQUIRED.

SHEET 2 OF 3			PART NUMBER
ISSUE	07-11-78		CR2249
REV.	P	5-27-15	



EXAMPLE OF CHERRY PART NUMBER:



SHEET 3 OF 3		PART NUMBER
ISSUE	07-11-78	CR2249
REV.	P 5-27-15	

**STANDARDS PAGE REVISION LOG      CR2249**

REV LTR	DATE	DCR NUMBER	REVISION DESCRIPTION	COMP. BY
P	5-27-15	14-1284	• GENERAL CLEANUP AND STANDARDIZATION	CL