

INCH-POUND

AN665 REV 6
31 August 2011
SUPERSEDING
AN665 REV 5
8 APRIL 2009

DETAIL SPECIFICATION SHEET

TERMINAL – THREADED CLEVIS TYPE TIE ROD

Inactive for new design after 4 April 1998.

This specification sheet is approved for use by all Departments and Agencies of the Department of Defense.

The requirements for acquiring the product described herein shall consist of this specification sheet and procurement specification MIL-DTL-5683.

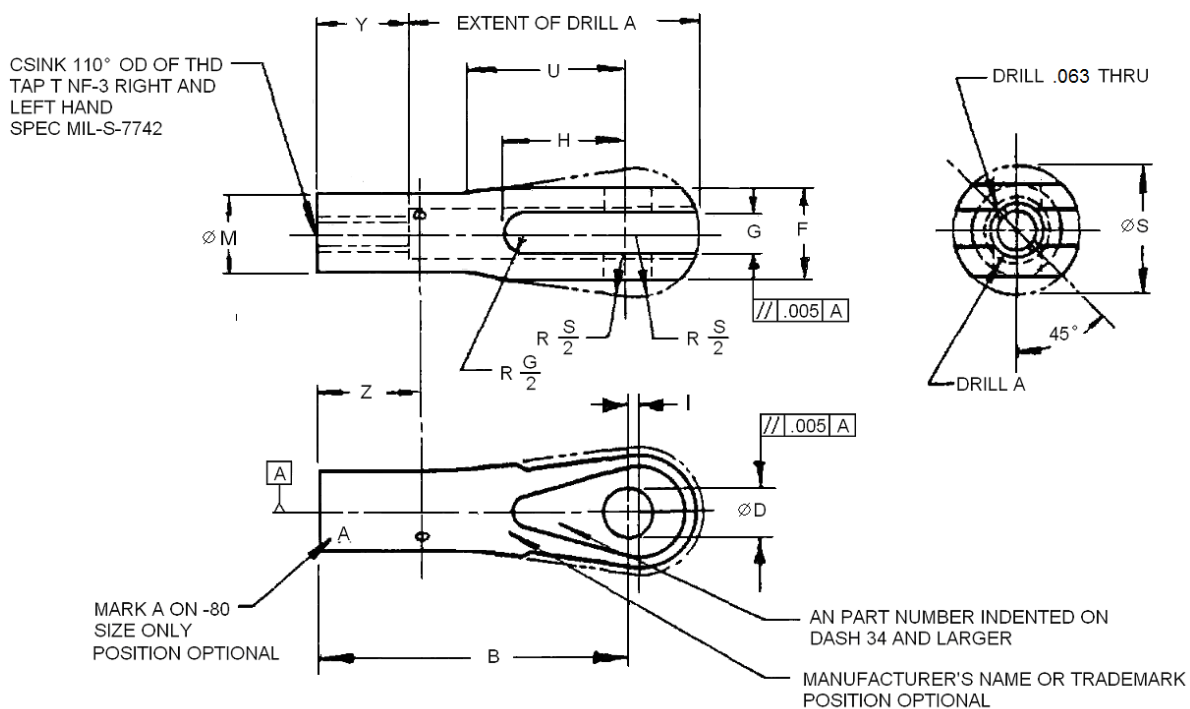


FIGURE I. Tie Rod.

TABLE I. Dash numbers and dimensions.

| Dash No. | Rated tie rod strength MIN (LB) | Tap T | Drill A | B ±.015 | ØD +.003 -.000 | | F +.010 -.005 | G +.010 -.000 | H | I +.010 -.000 | ØM +.010 -.000 | ØS | U | Y ±.047 | Z |
|----------------------------|---------------------------------|---------|---------|---------|----------------------|----------------|---------------------|---------------------|-------|---------------------|----------------------|-------|-------|------------|-------|
| 10L 10R | 1200 | 6-40 | .147 | 1.313 | .190 | +.002 -.000 | .250 | .109 | .375 | .031 | .250 | .375 | .625 | .250 | .313 |
| 21L 21R | 2400 | 10-32 | .199 | 1.531 | | | .313 | .150 | .469 | | .281 | .500 | .719 | .313 | .375 |
| 34L 34R | 4200 | 1/4-28 | .261 | 1.813 | .250 | | .438 | .203 | .625 | .047 | .375 | .625 | .875 | .438 | .500 |
| 46L 46R | 4600 (3) | 5/16-24 | .323 | 1.875 | .313 | | .500 | | .656 | | .438 | .688 | .938 | .563 | .625 |
| 61L 61R | 6900 | | | 2.000 | | | .563 | | .844 | | .453 | .750 | 1.000 | | |
| 80L 80R 80LA 80RA | 10000 | 3/8-24 | .386 | 2.250 | .375 | | .266 | .875 | .063 | .547 | .875 | 1.125 | .688 | .750 | |
| 115L 115R | 13700 | 7/16-20 | .453 | 2.500 | .438 | | .719 | .344 | 1.000 | .078 | .625 | 1.063 | 1.250 | .750 | .813 |
| 155L 155R | 18500 | 1/2-20 | .516 | 2.813 | .500 | | .813 | .406 | 1.188 | | .703 | 1.188 | 1.438 | .875 | .938 |
| 202L 202R | 24000 | 9/16-18 | .578 | 3.125 | .563 | | .922 | .453 | 1.375 | .094 | .796 | 1.375 | 1.625 | 1.000 | 1.063 |
| 247L 247R | 29500 | 5/8-18 | .640 | 3.375 | .625 | | 1.032 | .516 | 1.500 | | .875 | 1.500 | 1.750 | 1.125 | 1.188 |
| 430L 430R | 42000 | 3/4-16 | .766 | 4.125 | .750 | | 1.250 | .656 | 1.938 | .109 | 1.063 | 1.813 | 2.250 | 1.375 | 1.438 |
| 580L 580R | 58000 | 7/8-14 | .891 | 4.875 | .875 | | 1.500 | .781 | 2.313 | | 1.250 | 2.125 | 2.688 | 1.625 | 1.688 |
| 760L 760R | 76000 | 1-14 | 1.016 | 5.750 | 1.000 | | 1.750 | .906 | 2.688 | .125 | 1.438 | 2.438 | 3.125 | 1.875 | 1.938 |
| 780L 780R | 76000 | 1-12 | 1.016 | 5.750 | 1.000 | | 1.750 | .906 | 2.688 | .125 | 1.438 | 2.438 | 3.125 | 1.875 | 1.938 |

Notes:

- Material: Steel in accordance with procurement specification, MIL-DTL-5683.
- Dimensions in inches. Unless otherwise specified, tolerances: Dimensions ± .010, Angles ± 3°.
- Special, for use with 6900 lb. rod with 4600 lb. rating.
- Remove all burrs and sharp edges.
- Example of part number: AN665-10L - left hand thread
AN665-10R - right hand thread
- Changes from previous issue. The margins of this specification are marked with vertical lines to indicate where changes from the previous issue were made. This was done as a convenience only and the Government assumes no liability whatsoever for any inaccuracies in these notations. Bidders and contractors are cautioned to evaluate the requirements of this document based on the entire content irrespective of the marginal notations and relationship to the last previous issue.

Custodians:
Army - MI
Navy - AS
Air Force - 99

Preparing Activity:
DLA -IS

(Project 5340-2011-003)

NOTE: The activities listed above were interested in this document as of the date of this document. Since organizations and responsibilities can change, you should verify the currency of the information above using the ASSIST Online database at <https://assist.daps.dla.mil>.