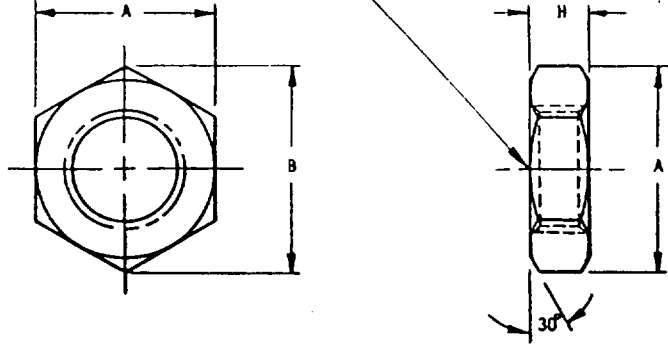


THREAD T SPECIFICATION
MIL-S-7742 CSK 110° TO
OD OF THREAD BOTH SIDES



AN PART NO.	THREAD T	ULTIMATE TENSILE STRENGTH MINIMUM POUNDS	A	B APPROX	H
AN316-4	1/4-28UNF-3B	2,040	.438 ^{+0.002} -0.010	1/2	1/8
AN316-5	5/16-24UNF-3B	3,250	.500 ^{+0.002} -0.010	37/64	5/32
AN316-6	3/8-24UNF-3B	5,050	.563 ^{+0.002} -0.010	21/32	3/16
AN316-7	7/16-20UNF-3B	6,800	.625 ^{+0.002} -0.011	23/32	7/32
AN316-8	1/2-20UNF-3B	9,250	.750 ^{+0.002} -0.012	7/8	1/4
AN316-9	9/16-18UNF-3B	11,800	.875 ^{+0.002} -0.012	1- 1/64	9/32
AN316-10	5/8-18UNF-3B	15,050	1.000 ^{+0.002} -0.014	1- 5/32	5/16
AN316-12	3/4-16UNF-3B	22,000	1.125 ^{+0.002} -0.016	1-19/64	3/8
AN316-14	7/8-14UNF-3B	30,000	1.313 ^{+0.002} -0.017	1-33/64	7/16
(a) AN316-16	1-14 NF-3	40,350	1.500 ^{+0.002} -0.019	1-47/64	1/2
AN316-18 (a)	1-12UNF-3B	40,350	1.500 ^{+0.002} -0.019	1-47/64	1/2

(a) PART NO. AN316-16 INACTIVE FOR DESIGN AFTER 30 OCT 64. USE AN316-18 FOR NEW DESIGN.
FOR SIZES SMALLER THAN 1/4, USE NUT AN315.

NOTES:

- (1) 1. MATERIAL: STEEL, 300 SERIES CORROSION-RESISTANT STEEL. SEE PROCUREMENT SPECIFICATION.
(400 SERIES CRES INACTIVE FOR DESIGN AFTER 1 JAN 1992).
2. FINISH: STEEL-CADMIUM PLATE IN ACCORDANCE WITH QQ-P-416, TYPE II, CLASS 2. PARTS WITH CLASS 3 PLATING MAY BE FURNISHED FROM SUPPLIER'S STOCK UNTIL 1 JANUARY 1975. CORROSION RESISTANT STEEL-PASSIVATE IN ACCORDANCE WITH QQ-P-35.
3. DIMENSIONS IN INCHES. UNLESS OTHERWISE SPECIFIED, TOLERANCES: FRACTIONS; ± 1/64, ANGLES; ± 1°.
4. REMOVE ALL BURRS.
5. EXAMPLES OF PART NUMBERS: AN316-7R = NUT, STEEL, 7/16-20UNF-3, RIGHT HAND THREAD.
AN316-7L = NUT, STEEL, 7/16-20UNF-3, LEFT HAND THREAD.
AN316C7L = NUT, CORROSION-RESISTANT STEEL, 7/16-20UNF-3, LEFT HAND THREAD.
6. ADD "C" IN PLACE OF DASH NUMBER FOR CORROSION-RESISTANT STEEL NUTS.
ADD "R" AFTER DASH NUMBER FOR RIGHT HAND THREAD.
ADD "L" AFTER DASH NUMBER FOR LEFT HAND THREAD.
- (1) 7. IN THE EVENT OF A CONFLICT BETWEEN THE TEXT OF THIS STANDARD AND THE REFERENCES CITED HEREIN, THE TEXT OF THIS STANDARD SHALL TAKE PRECEDENCE.
- (1) 8. REFERENCED GOVERNMENT (OR NON-GOVERNMENT) DOCUMENTS OF THIS ISSUE LISTED IN THAT ISSUE OF THE DEPARTMENT OF DEFENSE INDEX OF SPECIFICATIONS AND STANDARDS (DODISS) SPECIFIED IN THE SOLICITATION FORM A PART OF THIS STANDARD TO THE EXTENT SPECIFIED HEREIN.

REVIEWER SYMBOLS:
ARMY - AR
AIR FORCE - AF
DLA - 15

or other data are used for any purpose other than in connection with a definitely related Government operation, the United States Government hereby incurs no responsibility, and the Government may have formulated, furnished, or approved any data is not to be regarded as in any manner licensing the holder or any other person or corporation, or conveying any rights or permission to manufacture, use, or sell any patented invention that may in any way be related thereto.

used for public release, distribution is unlimited, approved by joint action of the Air Force and Navy departments of the all... standard drawings for the same product and shall become effective for the procurement of aeronautical supplies, or for use in new design not later than 6 months after the latest date of approval.

AMSC N/A

P.A. NAVY - AS CUSTODIANS: ARMY - AV NAVY - AS AIR FORCE - 99	AIR FORCE-NAVY AERONAUTICAL STANDARD	AN316
	NUT, JAM, HEXAGON	
PROCUREMENT SPECIFICATION FF-N-836	SUPERSEDES FORMER USAF AND NAVY STANDARD ISSUE OF AN316	SHEET 1 OF 1

APPROVED 7 JUL 43 REVISED 10 29 DEC 72 11 25 FEB 91