

REVIEWER SYMBOLS
AIR FORCE-82

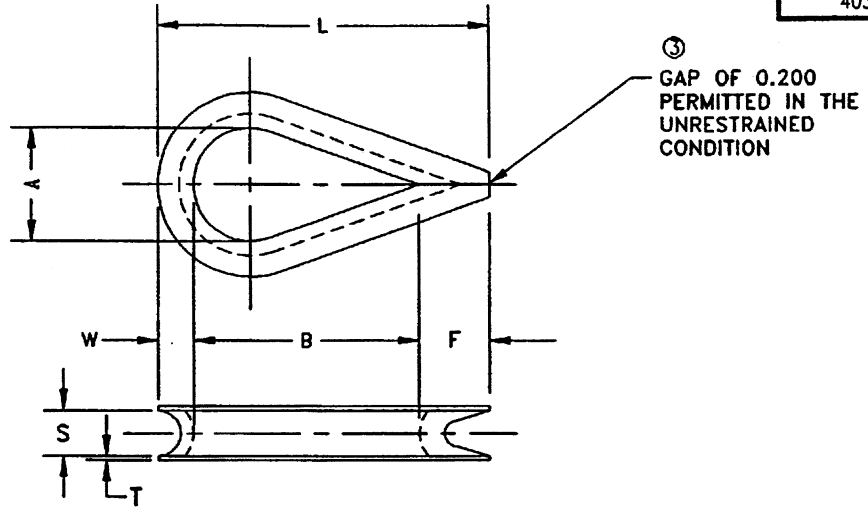


TABLE I DIMENSIONS

AN PART NO.			CABLE DIA.	A	B	F MIN	L APPROX	S +.016 -.000	T	W +.016 -.000
LOW CARBON STEEL	CORROSION RESISTING STEEL	PHOSPHOR BRONZE								
AN100-3	AN100C-3	AN100B-3	.063 .078	.350	.703	.188		.094	.032±.003	.078
AN100-4	AN100C-4	AN100B-4	.094 .109 .125	.350	.703	.219		.141	.032±.003	.078
AN100-5	AN100C-5	AN100B-5	.156	.400	.797	.219		.172	.032±.003	.109
AN100-6	AN100C-6	AN100B-6	.188	.500	1.000	.313		.203	.032±.003	.141
AN100-7	AN100C-7	AN100B-7	.219	.600	1.203	.375		.234	.032±.003	.156
AN100-8	AN100C-8	AN100B-8	.250	.700	1.406	.406		.266	.032±.003	.172
AN100-9	AN100C-9	AN100B-9	.281	.800	1.609	.406		.297	.040±.004	.203
AN100-10	AN100C-10	AN100B-10	.313	.900	1.797	.438		.328	.040±.004	.219
AN100-12	AN100C-12	AN100B-12	.375	1.000	2.000	.625		.391	.060±.004	.266
AN100-14	AN100C-14	AN100B-14	.438	1.125	2.250	.813		.453	.080±.004	.328
AN100-16	AN100C-16	AN100B-16	.500	1.250	2.500	1.000		.516	.080±.004	.406
(a) AN100-18			.563	1.500 (MIN)	2.750 (MIN)		4.000	.578	.156±.016	
(a) AN100-20			.625	1.750 (MIN)	3.250 (MIN)		5.375	.641	.168±.019	

(a) FOR -18 AND -20, THE FINISH REQUIREMENT ONLY, OF THE PROCUREMENT SPECIFICATION SHALL APPLY. THE MATERIAL SHALL BE OF COMMERCIAL WROUGHT STEEL SUITABLE FOR THE PURPOSE.

MATERIAL: SEE PROCUREMENT SPECIFICATION.

FINISH: SEE PROCUREMENT SPECIFICATION.

DIMENSIONS IN INCHES. UNLESS OTHERWISE SPECIFIED, TOLERANCES: ±.010.

NOTICE: INACTIVE FOR AIRCRAFT DESIGN AFTER 01 MARCH 1986, MAY BE USED FOR GROUND SUPPORT EQUIPMENT

NOTICE: When Government drawings, specifications or other data are used for any purpose other than in connection with a definitely related Government procurement operation, the United States Government thereby incurs no responsibility, nor any obligation whatsoever, and the fact that the Government may have furnished, or in any way supplied the said drawings, specifications, or other data is not to be regarded as an implication or otherwise as in any manner licensing the holder or any other person or corporation, or conveying any rights or permission to manufacture, use, or sell any patented invention that may in any way be related thereto.

DISTRIBUTION STATEMENT A: Approved for public release, distribution is unlimited.
NOTE: This drawing was approved by joint action of the Air Force and Navy Departments as the Air Force - Navy standard for this product. This drawing supersedes all unclassified standard drawings for the same product and shall become effective for the procurement of aeronautical supplies, or for use in new design not later than 6 months after the latest date of approval shown.
AMSC N/A

P.A.
NAVY-AS
CUSTOMERS:
ARMY-AV
AIR FORCE-99
PROCUREMENT SPECIFICATION
MIL-T-5677

AIR FORCE-NAVY AERONAUTICAL STANDARD
THIMBLE - WIRE CABLE
SUPERSEDES AN100, REV 2

AN100
SHEET 1 OF 1

APPROVED 12 NOV 42 REVISE ① 20 MAR 51 ② 07 JUL 86 ③ 08 MAR 93