

6

5

4

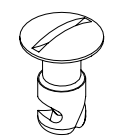
3

2

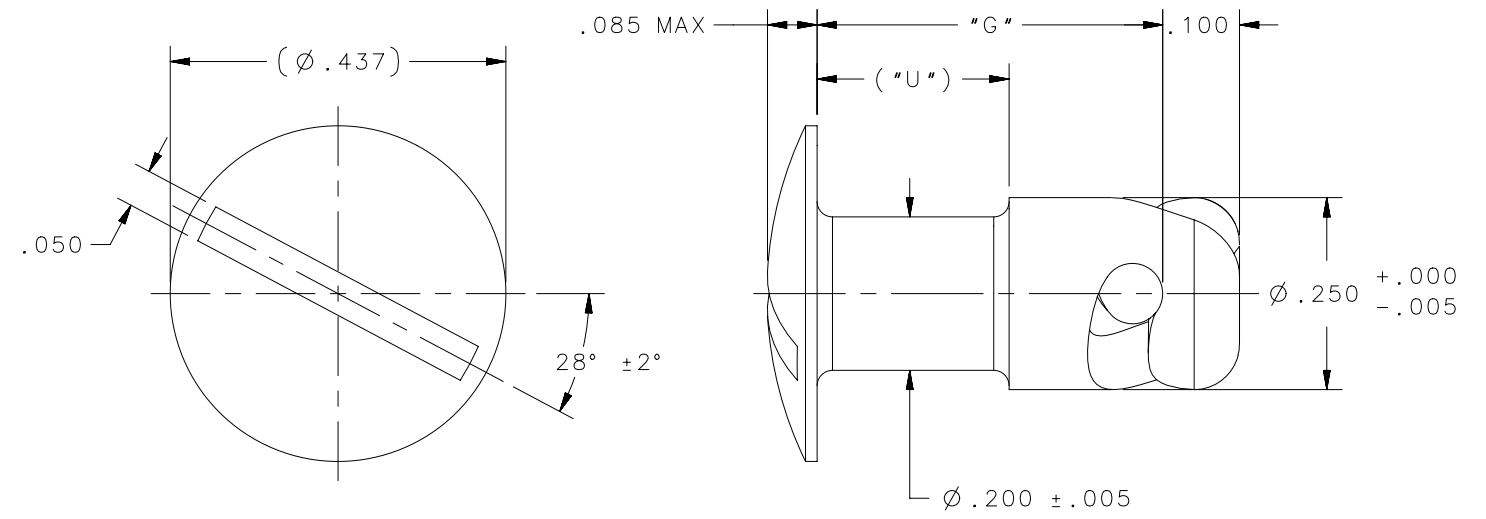
1

| REVISION HISTORY | | | |
|------------------|-----------|--------|-----------------|
| REV | DATE | BY | DESCRIPTION |
| B | 10APR2019 | CMS/JW | PRN: P2019-0933 |

| DFCI PART NUMBER | DZUS PART NUMBER | SOUTHCO PART NUMBER | DIM "G" | DIM "U" | MATERIAL | FINISH |
|------------------|------------------|---------------------|---------|---------|------------|--------|
| 121J-425-Z3CT | AJ4-25ZCT | D4-AJ4-25ZCTNA | .250 | .100 | SEE NOTE A | |
| 121J-430-Z3C | AJ4-30ZBC | D4-AJ4-30ZBCNA | .300 | .100 | | |
| 121J-430-Z3CT | AJ4-30ZCT | D4-AJ4-30ZCTNA | .300 | .100 | | |
| 121J-435-C3C | AJ4-35CBC | D4-AJ4-35CBCNA | .350 | .150 | | |
| 121J-435-Z3B | AJ4-35ZBB | D4-AJ4-35ZBBNA | .350 | .150 | | |
| 121J-435-Z3C | AJ4-35ZBC | D4-AJ4-35ZBCNA | .350 | .150 | | |
| 121J-435-Z3CT | AJ4-35ZCT | D4-AJ4-35ZCTNA | .350 | .150 | | |
| 121J-440-Z3BT | AJ4-40ZBT | D4-AJ4-40ZBTNA | .400 | .200 | | |
| 121J-440-Z3C | AJ4-40ZBC | D4-AJ4-40ZBCNA | .400 | .200 | | |
| 121J-440-Z3CT | AJ4-40ZCT | D4-AJ4-40ZCTNA | .400 | .200 | | |
| 121J-440-Z3Y | AJ4-40ZBY | D4-AJ4-40ZBYNA | .400 | .200 | | |
| 121J-445-C3C | AJ4-45CBC | D4-AJ4-45CBCNA | .450 | .225 | | |
| 121J-445-Z3C | AJ4-45ZBC | D4-AJ4-45ZBCNA | .450 | .225 | | |
| 121J-445-Z3CT | AJ4-45ZCT | D4-AJ4-45ZCTNA | .450 | .225 | | |
| 121J-450-Z3C | AJ4-50ZBC | D4-AJ4-50ZBCNA | .500 | .250 | | |
| 121J-450-Z3CT | AJ4-50ZCT | D4-AJ4-50ZCTNA | .500 | .250 | | |
| 121J-455-Z3B | AJ4-55ZBB | D4-AJ4-55ZBBNA | .550 | .275 | | |
| 121J-455-Z3C | AJ4-55ZBC | D4-AJ4-55ZBCNA | .550 | .275 | | |
| 121J-455-Z3CT | AJ4-55ZCT | D4-AJ4-55ZCTNA | .550 | .275 | | |
| 121J-460-Z3BT | AJ4-60ZBT | D4-AJ4-60ZBTNA | .600 | .300 | | |
| 121J-460-Z3C | AJ4-60ZBC | D4-AJ4-60ZBCNA | .600 | .300 | | |
| 121J-465-Z3C | AJ4-65ZBC | D4-AJ4-65ZBCNA | .650 | .350 | | |
| 121J-480-Z3C | AJ4-80ZBC | D4-AJ4-80ZBCNA | .800 | .400 | | |
| 121J-490-Z3C | AJ4-90ZBC | D4-AJ4-90ZBCNA | .900 | .500 | | |
| 121J-495-Z3C | AJ4-95ZBC | D4-AJ4-95ZBCNA | .950 | .600 | | |
| 121J-4100-Z3C | AJ4-100ZBC | D4-AJ4-100ZBCNA | 1.000 | .600 | | |
| 121J-4100-Z3CT | AJ4-100 | D4-AJ4-100ZCTNA | 1.000 | .600 | | |
| 121J-4110-Z3C | AJ4-110ZBC | D4-AJ4-110ZBCNA | 1.110 | .600 | | |
| 121J-4120-Z3C | AJ4-120ZBC | D4-AJ4-120ZBCNA | 1.120 | .600 | | |
| 121J-4130-Z3C | AJ4-130ZBC | D4-AJ4-130ZBCNA | 1.130 | .600 | | |
| 121J-4150-Z3CT | AJ4-150ZCT | D4-AJ4-150ZCTNA | 1.130 | .600 | | |
| 121J-4160-Z3C | AJ4-160ZBC | D4-AJ4-160ZBCNA | 1.160 | .600 | | |
| 121J-425-SS | AJ4-25SS | D4-AJ4-25SSNA | .250 | .100 | SEE NOTE B | |
| 121J-430-SS | AJ4-30SS | D4-AJ4-30SSNA | .300 | .100 | | |
| 121J-435-SS | AJ4-35SS | D4-AJ4-35SSNA | .350 | .150 | | |
| 121J-440-SS | AJ4-40SS | D4-AJ4-40SSNA | .400 | .200 | | |
| 121J-445-SS | AJ4-45SS | D4-AJ4-45SSNA | .450 | .225 | | |
| 121J-450-SS | AJ4-50SS | D4-AJ4-50SSNA | .500 | .250 | | |
| 121J-455-SE-SS | AJ4-55SSSE | D4-AJ4-55SSSENA | .550 | .275 | | |
| 121J-455-SS | AJ4-55SS | D4-AJ4-55SSNA | .550 | .275 | | |
| 121J-460-SS | AJ4-60SS | D4-AJ4-60SSNA | .600 | .300 | | |
| 121J-465-SS | AJ4-65SS | D4-AJ4-65SSNA | .650 | .350 | | |
| 121J-465-SS-PAS | AJ4-65SSPS | D4-AJ4-65SSPSNA | .650 | .350 | | |
| 121J-480-SS | AJ4-80SS | D4-AJ4-80SSNA | .800 | .400 | | |
| 121J-485-SS | AJ4-85SS | D4-AJ4-85SSNA | .850 | .500 | | |
| 121J-4100-SS | AJ4-100SS | D4-AJ4-100SSNA | 1.000 | .600 | | |
| 121J-4120-SS | AJ4-120SS | D4-AJ4-120SSNA | 1.120 | .600 | | |



SCALE 1:1



SEE NOTE A

SEE NOTE C

SEE NOTE B

NOTES:

A. AISI 8620 STEEL, HEAT TREATED TO ROCKWELL C27-33.

B. 304 STAINLESS STEEL

C. REFER TO J-D5-0-3 FOR FINISH INFORMATION AND SPECIFICATIONS.

| | | | | |
|--|------------------------|--|---------------------------------|--|
| CAGE CODE 72794 | THIRD ANGLE PROJECTION | | CONNECT • CREATE • INNOVATE | |
| | INCHES [MM] | | | |
| TOLERANCES UNLESS OTHERWISE NOTED | | DESCRIPTION LINE STUD | | |
| X° ±2° | | SIZE SYSTEM DWG NO. | | |
| X/X ±1/32 | | B NX J-D4-AJ4NA | | |
| .XX ±.015 | | DRAWN BY CMS/JCG DATE 01MAY2015 SCALE 4:1 SHEET 1 OF 1 | | |
| .XXX ±.010 | | PER ASME Y14.5M-1994 | | |
| <small>PROPRIETARY ITEM EXCEPT FOR USES EXPRESSLY GRANTED IN WRITING, INFORMATION DISCLOSED HEREON IS CONFIDENTIAL AND ALL RIGHTS, PATENT AND OTHERWISE, ARE RESERVED BY SOUTHCO, INC.</small> | | | | |

6

5

4

3

2

1