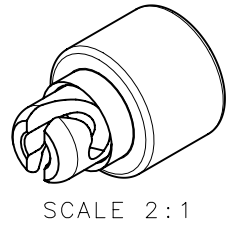
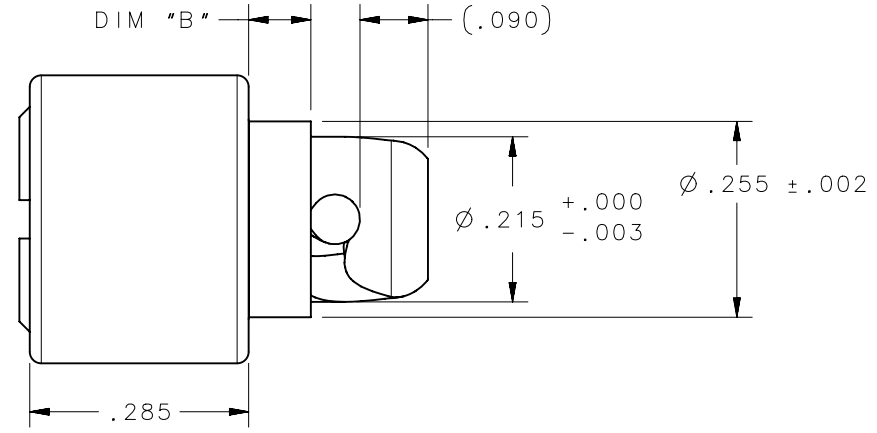
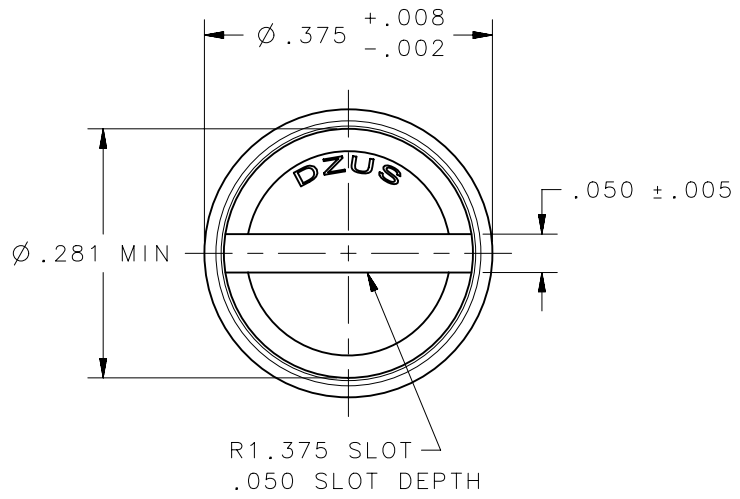
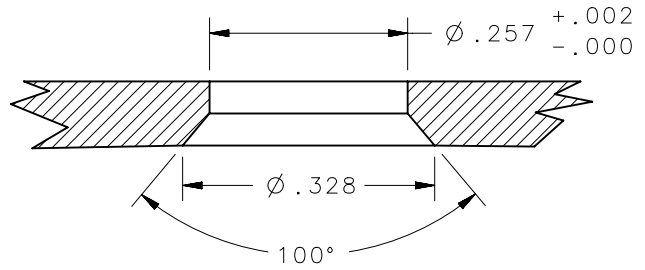


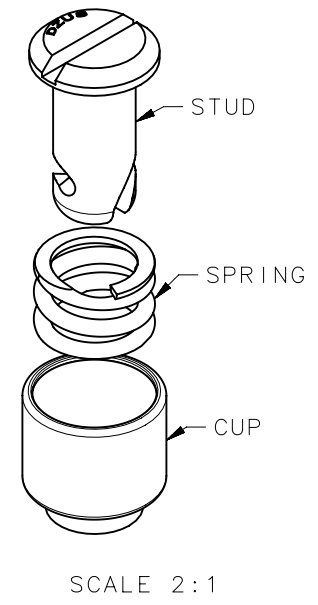
REVISION HISTORY			
REV	DATE	BY	DESCRIPTION
R	02JAN2020	DKP/DMS	PRN: P2020-0005



- INSTALLATION
1. FLARE THE END OF THE CUP NECK INTO A COUNTERSUNK PANEL HOLE AS SHOWN.
  2. TURN STUD TO LOCK INTO RECEPTACLE.



PANEL PREPARATION



MEETS THE DESIGN, PHYSICAL AND PERFORMANCE REQUIREMENTS OF MIL-F-25173A. HOWEVER, FULL MECHANICAL PROPERTIES TESTING MAY NOT BE PERFORMED ON EACH PRODUCTION.

CAGE CODE 72794		THIRD ANGLE PROJECTION				
		INCHES [MM]				
		TOLERANCES UNLESS OTHERWISE NOTED	DESCRIPTION LINE STUD ASSEMBLY			
		X° ..... ±2°	SIZE	SYSTEM	DWG NO.	
		X/X ..... ±1/32	A	NX	J-D5-PFSC35NA	
		.XX ..... ±.015	DRAWN BY		DATE	SHEET
		.XXX ..... ±.010	CMS/NJF		11JUN2015	4:1 1 OF 3
PROPRIETARY ITEM <small>EXCEPT FOR USES EXPRESSLY GRANTED IN WRITING, INFORMATION DISCLOSED HEREON IS CONFIDENTIAL AND ALL RIGHTS, PATENT AND OTHERWISE, ARE RESERVED BY SOUTHCO, INC.</small>		MACHINE FINISH: .125	PER ASME Y14.5M-1994		SCALE	

DFCI PART NUMBER	SOUTHCO PART NUMBER
3506-SC37A-BOC	D5-PFSC35-37ARBNA
3506-SC37A-C3C	D5-PFSC35-37ACBCNA
3506-SC37A-EEB	D5-PFSC35-37ASEBNA
3506-SC37A-EEB1T	D5PFSC3537ASEB1TNA
3506-SC37A-EEBT	D5-PFSC3537ASEBTNA
3506-SC37A-EEG1	D5-PFSC3537ASEG1NA
3506-SC37A-EEGT	D5-PFSC3537ASEGTNA
3506-SC37A-K3B	D5-PFSC35-37AKBBNA
3506-SC37A-Z3B	D5-PFSC35-37AZBBNA
3506-SC37A-Z3BT	D5-PFSC35-37AZBTNA
3506-SC37A-Z3CT	D5-PFSC35-37AZCTNA
3506-SC38A-ABGB	D5-PFSC35-38AGBNA
3506-SC38A-ABGT	D5-PFSC35-38AGTNA
3506-SC38A-BOC	D5-PFSC35-38ARBNA
3506-SC38A-C3C	D5-PFSC35-38ACBCNA
3506-SC38A-C3Y	D5-PFSC35-38ACBYNA
3506-SC38AD-BOC	D5-PFSC35-38ADRBNA
3506-SC38AD-C3C	D5-PFSC3538ADCBCNA
3506-SC38AD-EEB	D5-PFSC3538ADSEBNA
3506-SC38AD-EEG	D5-PFSC3538ADSEGNA
3506-SC38AD-GBL	D5-PFSC3538ADGBLNA
3506-SC38AD-K3B	D5-PFSC3538ADKBBNA
3506-SC38AD-Z3B	D5-PFSC3538ADZBBNA
3506-SC38AD-Z3BT	D5-PFSC3538ADZBTNA
3506-SC38AD-Z3CT	D5-PFSC3538ADZCTNA
3506-SC38A-EEB	D5-PFSC35-38ASEBNA
3506-SC38A-EEB1	D5-PFSC3538ASEB1NA
3506-SC38A-EEB1T	D5PFSC3538ASEB1TNA
3506-SC38A-EEBT	D5-PFSC35-38AEBTNA
3506-SC38A-EEBX	D5-PFSC3538ASEBXNA
3506-SC38A-EEG	D5-PFSC35-38ASEGNA
3506-SC38A-EEG1	D5-PFSC3538ASEG1NA
3506-SC38A-EEG1T	D5PFSC3538ASEG1TNA
3506-SC38A-EEG2	D5-PFSC3538ASEG2NA
3506-SC38A-EEG4T	D5PFSC3538ASEG4TNA
3506-SC38A-EEGT	D5-PFSC3538ASEGTNA
3506-SC38A-EEGX	D5-PFSC3538ASEGXNA
3506-SC38A-EEMB	D5-PFSC3538ASEMBNA
3506-SC38A-EEB1X	D5PFSC3538ASEB1XNA

PART NUMBERS CONTINUED ON NEXT SHEET

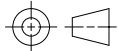

PART NUMBERS		
-XXX	PANEL THICKNESS	B
-37	.050 - .059	0.070
-38	.060 - .069	0.080
-39	.070 - .079	0.090
-40	.080 - .089	0.100
-41	.090 - .099	0.110
-42	.100 - .109	0.120
-43	.110 - .119	0.130
-44	.120 - .129	0.140
-45	.130 - .139	0.150
-46	.140 - .149	0.160
-47	.150 - .159	0.170
-48	.160 - .169	0.180
-49	.170 - .179	0.190
-50	.180 - .189	0.200
-51	.190 - .199	0.210
-52	.200 - .209	0.220
-53	.210 - .219	0.230
-54	.220 - .229	0.240
-55	.230 - .239	0.250
-56	.240 - .249	0.260
-57	.250 - .259	0.270
-58	.260 - .269	0.280
-59	.270 - .279	0.290

REVISION HISTORY			
REV	DATE	BY	DESCRIPTION
R	02JAN2020	DKP/DMS	PRN: P2020-0005

NOTES:

- A. REFER TO J-D5-0-3 FOR FINISH SPECIFICATIONS AND INFORMATION.
- B. MATERIAL:  
 STUD: 4037 STEEL PER AMS 6300 OR 8620 STEEL  
 CUP: 1010 STEEL PER ASTM A109/A109M, 1008, 1215, OR 8620 STEEL  
 SPRING: MUSIC WIRE PER ASTM A228
- C. STUD HEAT TREATED TO ROCKWELL C30-38.

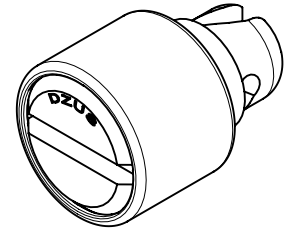
SOUTHCO PART NUMBER	TYPE OF COMPONENT	MATERIAL	FINISH
-	SPRING	316 STAINLESS STEEL	PASSIVATE
-	CUP	303 STAINLESS STEEL	-
-	STUD	303 STAINLESS STEEL	-
D5-PFSC35-XXASSYYNA	ASSEMBLY	-	-
-	SPRING	MUSIC WIRE PER ASTM A228	SEE NOTE A
-	CUP	SEE NOTE B	SEE NOTE A
-	STUD	SEE NOTE B	SEE NOTE A
D5-PFSC35-XXAYYYNA	ASSEMBLY	-	-
SOUTHCO PART NUMBER	TYPE OF COMPONENT	MATERIAL	FINISH

PART NUMBERS CONTINUED ON NEXT SHEET  PROPRIETARY ITEM <small>EXCEPT FOR USES EXPRESSLY GRANTED IN WRITING, INFORMATION DISCLOSED HEREON IS CONFIDENTIAL AND ALL RIGHTS, PATENT AND OTHERWISE, ARE RESERVED BY SOUTHCO, INC.</small>	THIRD ANGLE PROJECTION 	 CONNECT • CREATE • INNOVATE		
	INCHES [MM]			
	TOLERANCES UNLESS OTHERWISE NOTED	SIZE	SYSTEM	DWG NO.
	X° ..... ±2° X/X ..... ±1/32 .XX ..... ±.015 .XXX ..... ±.010 MACHINE FINISH: .125	A	NX	J-D5-PFSC35NA
PER ASME Y14.5M-1994	DRAWN BY	DATE	SCALE	SHEET
	CMS/NJF	12JUN2015	1:1	2 OF 3

DFCI PART NUMBER	SOUTHCO PART NUMBER
3506-SC38A-EEMBX	D5-PFSC3538ASEMXNA
3506-SC38A-ETG	D5-PFSC35-38AETGNA
3506-SC38A-ETG1	D5-PFSC35-38ATG1NA
3506-SC38A-GBL	D5-PFSC35-38AGBLNA
3506-SC38A-K3B	D5-PFSC35-38AKBBNA
3506-SC38A-SS	D5-PFSC35-38ASSNA
3506-SC38A-SS-BOF	D5-PFSC3538ASSBANA
3506-SC38A-SS-EEB2	D5-PFSC3538ASSB2NA
3506-SC38A-SS-PAS	D5-PFSC3538ASSPSNA
3506-SC38A-Z3B	D5-PFSC35-38AZBBNA
3506-SC38A-Z3BT	D5-PFSC35-38AZBTNA
3506-SC38A-Z3CT	D5-PFSC35-38AZCTNA
3506-SC38A-Z3N	D5-PFSC35-38A190NA
3506-SC38A-Z3Y	D5-PFSC35-38AZBYNA
3506-SC38A-Z3YT	D5-PFSC35-38AZBYNA
3506-SC38A-Z5B	D5-PFSC35-38AZ5BNA
3506-SC38AD-EEBRT	D5-PFSC3538ADRTNNA
3506-SC39AD-Z3B	D5-PFSC3539ADZBBNA
3506-SC39A-BOC	D5-PFSC35-39ARBNA
3506-SC39A-C3C	D5-PFSC35-39ACBCNA
3506-SC39A-Z3B	D5-PFSC35-39
3506-SC39A-Z3BT	D5-PFSC35-39ZBBNA
3506-SC39A-Z3CT	D5-PFSC35-39AZCTNA
3506-SC40A-BOC	D5-PFSC35-40ARBNA
3506-SC40A-C3C	D5-PFSC35-40ACBCNA
3506-SC40AD-BOC	D5-PFSC35-40ADRBNA
3506-SC40A-EEB	D5-PFSC35-40ASEBNA
3506-SC40A-EEG1	D5-PFSC35-40AG1NA
3506-SC40A-EEG1T	D5-PFSC3540ASEG1TNA
3506-SC40A-Z3B	D5-PFSC35-40AZBBNA
3506-SC40A-Z3BT	D5-PFSC35-40AZBTNA
3506-SC40A-Z3CT	D5-PFSC35-40AZCTNA
3506-SC40AD-Z3B	D5-PFSC3540ADZBBNA
3506-SC41A-ABGB	D5-PFSC35-41AGBNA
3506-SC41A-BBG	D5-PFSC35-41ABGNA
3506-SC41A-BBGT	D5-PFSC35-41ABGTNA
3506-SC41A-BOC	D5-PFSC35-41ARBNA
3506-SC41A-C3C	D5-PFSC35-41ACBCNA
3506-SC41AD-BOC	D5-PFSC35-41ADRBNA

DFCI PART NUMBER	SOUTHCO PART NUMBER
3506-SC41AD-EEB	D5-PFSC3541ADSEBNA
3506-SC41A-EEB	D5-PFSC35-41ASEBNA
3506-SC41A-EEBRT	D5-PFSC35-41ARTNA
3506-SC41A-EEBT	D5-PFSC35-41AEBTNA
3506-SC41A-EEG	D5-PFSC35-41ASEGNA
3506-SC41A-EEGT	D5-PFSC35-41AEGTNA
3506-SC41A-EEMB	D5-PFSC35-41AMBNA
3506-SC41A-GBL	D5-PFSC35-41AGBLNA
3506-SC41A-K3B	D5-PFSC35-41AKBBNA
3506-SC41A-Z3B	D5-PFSC35-41AZBBNA
3506-SC41A-Z3BT	D5-PFSC35-41AZYTNA
3506-SC41A-Z3CT	D5-PFSC35-41AZCTNA
3506-SC41A-Z3N	D5-PFSC35-41A190NA
3506-SC41A-Z3Y	D5-PFSC35-41AZBYNA
3506-SC41A-Z3YT	D5-PFSC35-41AZBTNA
3506-SC41AD-Z3B	D5-PFSC3541ADZBBNA
3506-SC42A-BOC	D5-PFSC35-42ARBNA
3506-SC42A-C3C	D5-PFSC35-42ACBCNA
3506-SC41A-C3C	D5-PFSC35-41ACBCNA
3506-SC42AD-BOC	D5-PFSC35-42ADRBNA
3506-SC42AD-Z3B	D5-PFSC3542ADZBBNA
3506-SC42A-EEB	D5-PFSC35-42ASEBNA
3506-SC42A-EEBT	D5-PFSC35-42ABTNA
3506-SC42A-Z3B	D5-PFSC35-42AZBBNA
3506-SC42A-Z3CT	D5-PFSC35-42AZCTNA
3506-SC42A-Z3N	D5-PFSC35-42A190NA
3506-SC42A-Z3BT	D5-PFSC35-42AZBTNA
3506-SC43A-BOC	D5-PFSC35-43ARBNA
3506-SC43A-C3C	D5-PFSC35-43ACBCNA
3506-SC43AD-Z3B	D5-PFSC3543ADZBBNA
3506-SC43A-EEB	D5-PFSC35-43ASEBNA
3506-SC43A-EEG	D5-PFSC35-43ASEGNA
3506-SC43A-Z3B	D5-PFSC35-43AZBBNA
3506-SC43A-Z3BT	D5-PFSC35-43AZBTNA
3506-SC43A-Z3CT	D5-PFSC35-43AZCTNA

REVISION HISTORY			
REV	DATE	BY	DESCRIPTION
R	02JAN2020	DKP/DMS	PRN: P2020-0005



DFCI PART NUMBER	SOUTHCO PART NUMBER
3506-SC44A-BOC	
3506-SC44A-C3C	D5-PFSC35-44ACBCNA
3506-SC44AD-EEB	D5-PFSC3544ADSEBNA
3506-SC44AD-Z3B	D5-PFSC3544ADZBBNA
3506-SC44A-EEG1	D5-PFSC3544ASEG1NA
3506-SC44A-EEG1T	D5-PFSC3544ASEG1TNA
3506-SC44A-EEMB	D5-PFSC35-44AMBNA
3506-SC44A-ETG1	D5-PFSC35-44ATG1NA
3506-SC44A-K3B	D5-PFSC35-44AKBBNA
3506-SC44A-SS	D5-PFSC35-44ASSNA
3506-SC44A-Z3B	D5-PFSC35-44AZBBNA
3506-SC44A-Z3BT	D5-PFSC35-44AZBTNA
3506-SC44A-Z3CT	D5-PFSC35-44AZCTNA
3506-SC44A-Z3N	D5-PFSC35-44A190NA
3506-SC44A-Z3Y	D5-PFSC35-44AZBYNA
3506-SC44A-Z5B	D5-PFSC35-44AZ5BNA
3506-SC45A-BOC	D5-PFSC35-45ARBNA
3506-SC44AD-Z3BT	D5-PFSC3544ADZBTNA
3506-SC44A-EEB	D5-PFSC35-44ASEBNA
3506-SC44A-EEBT	D5-PFSC35-44AEBTNA
3506-SC50A-Z3N	D5-PFSC35-50A190NA
3506-SC53A-Z3B	D5-PFSC35-53AZBBNA

	THIRD ANGLE PROJECTION		<b>southco</b> <sup>®</sup>			
	INCHES [MM]		CONNECT • CREATE • INNOVATE			
	TOLERANCES UNLESS OTHERWISE NOTED		DESCRIPTION LINE STUD ASSEMBLY			
	X° ..... ±2° X/X ..... ±1/32 .XX ..... ±.015 .XXX ..... ±.010		SIZE A	SYSTEM NX	DWG NO. J-D5-PFSC35NA	
PROPRIETARY ITEM EXCEPT FOR USES EXPRESSLY GRANTED HEREON IS CONFIDENTIAL AND ALL RIGHTS, PATENT AND OTHERWISE, ARE RESERVED BY SOUTHCO, INC.	MACHINE FINISH: .125	PER ASME Y14.5M-1994	DRAWN BY CMS/NJF	DATE 12JUN2015	SCALE 1:1	SHEET 3 OF 3